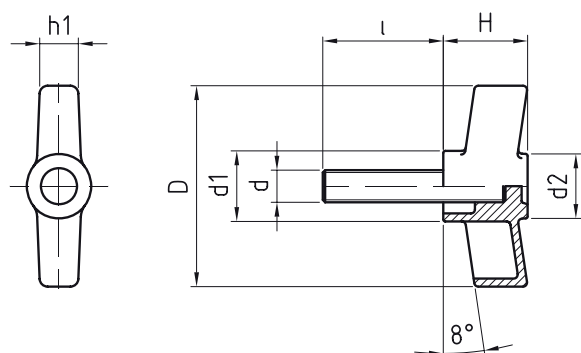
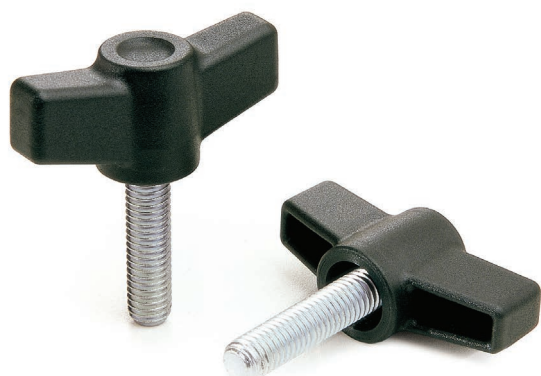


## GALLETTO CON PERNO IN FERRO WING NUT, WITH THREADED STEEL STUD



» **Tecnopolimero** rinforzato con fibra di vetro, colore standard nero, resistente a solventi, oli e grassi.

» **Perno** in acciaio zincato filettato.

» Disponibile a richiesta con inserto in OTTONE e INOX ed altri colori a richiesta (vedi pag. 5).

» Technopolymer, fiberglass-reinforced, black colour, solvents-oils-greaseproof.

» Zinc-plated steel stud.

» BRASS AND STAINLESS STEEL insert and colours available on request (see page 5).

Cod. Code	D	d	l	d1	d2	H	h1	Gr.
11990000	30	M04	10	14	12	16	6	6,5
11990025	30	M04	20	14	12	16	6	7
11990050	30	M04	30	14	12	16	6	8,5
11990075	30	M04	40	14	12	16	6	9
11990085	30	M04	50	14	12	16	6	10
11990100	30	M05	10	14	12	16	6	7
11990150	30	M05	20	14	12	16	6	8
11990200	30	M05	30	14	12	16	6	9,5
11990225	30	M05	40	14	12	16	6	10
11990235	30	M05	50	14	12	16	6	11
11990250	30	M06	10	14	12	16	6	8,5
11990300	30	M06	15	14	12	16	6	9,5
11990350	30	M06	20	14	12	16	6	10,5
11990450	30	M06	30	14	12	16	6	12
11990500	30	M06	40	14	12	16	6	13
11990550	30	M06	50	14	12	16	6	14
11990600	30	M08	15	14	12	16	6	12
11990650	30	M08	20	14	12	16	6	14
11990700	30	M08	30	14	12	16	6	17
11990750	30	M08	40	14	12	16	6	19
11990800	30	M08	50	14	12	16	6	21
11991200	50	M05	10	18	16	22	10	13
11991250	50	M05	20	18	16	22	10	14
11991300	50	M05	30	18	16	22	10	15,5
11991325	50	M05	40	18	16	22	10	16
11991335	50	M05	50	18	16	22	10	17
11991350	50	M06	15	18	16	22	10	11
11991400	50	M06	20	18	16	22	10	17
11991450	50	M06	30	18	16	22	10	18
11991500	50	M06	40	18	16	22	10	16
11991550	50	M06	50	18	16	22	10	18
11991600	50	M08	15	18	16	22	10	20
11991650	50	M08	20	18	16	22	10	22
11991750	50	M08	30	18	16	22	10	25
11991800	50	M08	40	18	16	22	10	28
11991850	50	M08	50	18	16	22	10	31
11991950	50	M10	20	18	16	22	10	27,5
11992000	50	M10	30	18	16	22	10	29
11992050	50	M10	40	18	16	22	10	31
11992100	50	M10	50	18	16	22	10	34